


Hand held unit

Hand held unit is use to setup, unlock the safe and check the events, then the safe can be easily supervisory.

3003D-13ALC


3-level management

- > Master code (1 set) is used to issue or delete service code.
- > Service code (Max. 5 sets) is for service opening when guest forgot the user code.
- > User code (1 set) is used for guest opening.


Internal power outlet

Internal power outlet mounted in the door for easy charging (Options are EURO, US, UK and universal outlet.)


Private mode

Single code or multiple codes can be selected, suitable for home or office.


Audit trail function

Audit trail the events (unlocking by User Code and mechanical key) by software.


External power backup

The hand held unit can use for emergent power supply when internal batteries in low voltages.


Inactive mode

The safe is deactivated for 5 minutes after 5 attempts with incorrect code.


Mechanical override

Unlock the safe in case of failure and hidden cylinder design.


Surface finish

Powder coating and wrinkle finish for finish options, matching different decoration style.

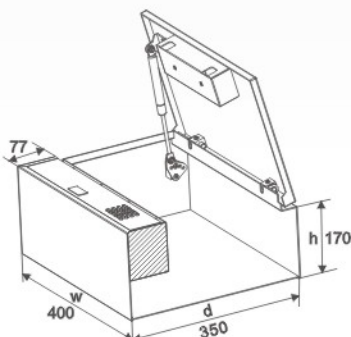

Low-voltage alarm

Buzzer alarms when unlocking under the alarm voltage, notifies to replace ew batteries.

Internal power outlet:



Universal outlet


Parameter

External wxdxh	400x350x170mm
Packing wxdxh	430x375x205mm
Door	2.5mm
Body	1.5mm
Capacity	14 "laptop capacity

Power supply	4 × AA alkaline batteries
Alarm voltage	DC 4.2V ± 0.2V
Static current	≤ 30uA
Dynamic current	≤ 400mA
Working temperature	0°C~55°C
Working humidity	20%~93% ± 2 RH