

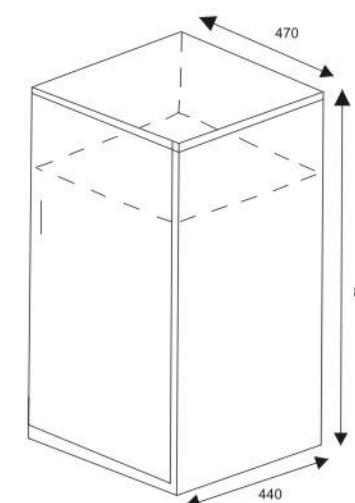
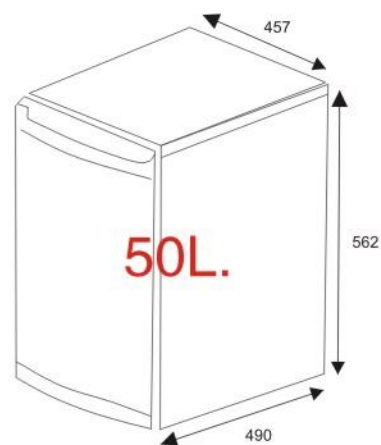
ABSORPTION COOLING SYSTEM

XC-50-1

- 吸收扩散式制冷原理
 - 无压缩机, 无氟里昂, 无机械运动部件, 超静音运行
 - 自动除霜, LED内置照明
 - 全封闭设计, 终生无需添加制冷剂
 - 运输方便, 不怕倾斜, 倒置
 - 低电耗, 支持多种电压(直流12V, 24V, 交流110V, 220V等)
- Absorption style refrigeration technology
 - No compressor, no freon, no moving parts, complete silent
 - Auto defrost, interior LED light
 - Totally enclosed design without need to add refrigerant for whole life
 - Easy transportation, no concern for slanting or placing upside down.
 - Low power consumption, supporting multi-voltage (DC 12V, 24V, AC 110V, 220V etc)

XC-50-1 Details

Cooling capacity	(Litres)	50
Out size	(mm)(W×D×H)	457×490×562
Power	(Watt)	60
Voltage/frequency	(V)(Hz)	220-240/50-60
Energy consumption	(kwh/24h)	0.8
Refrigerant		NH3
Net weight	(kg)	17
Loading capacity	(20/40/40HQ)	132/336/352
Color		Optional
Lock		Optional
Door		Glass door/Solid door



SJ-38

SJ-38 Details

Cooling capacity	(Litres)	40
Out size	(mm)(W×D×H)	470×440×830
Power	(Watt)	60
Voltage/frequency	(V)(Hz)	220-240/50-60
Energy consumption	(kwh/24h)	0.8
Refrigerant		NH3
Net weight	(kg)	50
Loading capacity	(20/40/40HQ)	110/230/276
Color		Brown
Lock		Optional
Door		wooden door

